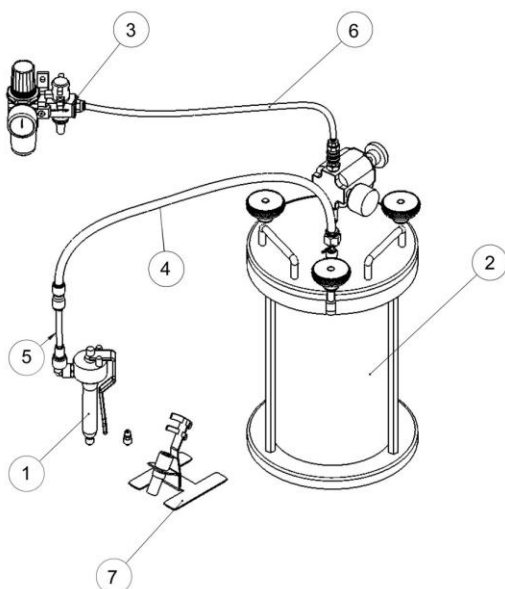




## Representative Model 200 Dispensing System (T20145 with Bottle Reservoir Shown Below)

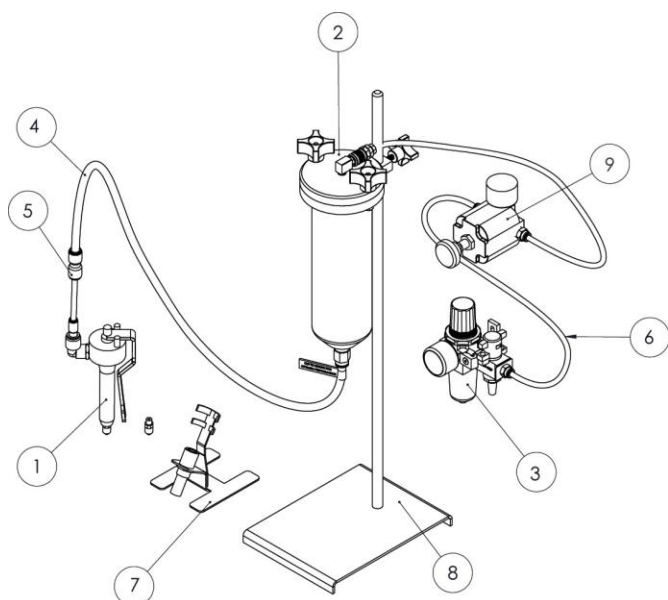


Item	Part Number	Description
1	T15218	Model 200 Diaphragm Valve
2	T15261	Bottle Drop-In Tank Assembly - 2 Liter with High-Precision Regulator
3	T16307	Filter Regulator
4	T16787	6 FT (1.83 m) of Fluid Line Kit - Black 3/8" (9.5 mm) OD PE
5	T16793	6 FT (1.83 m) of Fluid Line Kit - Black 1/4" (6.3 mm) OD PE
6	T16789	Reservoir Airline Kit
7	T15466	Valve Stand

### System Specifications

Compressed Air Supply	80 to 100 psi (5.5 to 6.9 bar)
-----------------------	--------------------------------

## Representative Model 200 Dispensing System (T20105 with Cartridge Reservoir Shown Below)



Item	Part Number	Description
1	T15218	Model 200 Diaphragm Valve
2	T15223	550 mL (20 oz) Reservoir
3	T16307	Filter Regulator
4	T16787	6 FT (1.83 m) of Fluid Line Kit - Black 3/8" (9.5 mm) OD PE
5	T16793	6 FT (1.83 m) of Fluid Line Kit - Black 1/4" (6.3 mm) OD PE
6	T16789	Reservoir Airline Kit
7	T15466	Valve Stand
8	T15279	24" Lab Stand
9	T16629	High-Precision Regulator

### System Specifications

Compressed Air Supply	80 to 100 psi (5.5 to 6.9 bar)
-----------------------	--------------------------------

© 2011 DYMAX Corporation. All rights reserved. All trademarks in this guide, except where noted, are the property of, or used under license by DYMAX Corporation, U.S.A.

The data contained in this bulletin is of a general nature and is based on laboratory test conditions. DYMAX Europe GmbH does not warrant the data contained in this bulletin. Any warranty applicable to products, its application and use is strictly limited to that contained in DYMAX Europe GmbH's General Terms and Conditions of Sale published on our homepage [http://www.dymax.com/de/pdf/dymax\\_europe\\_general\\_terms\\_and\\_conditions\\_of\\_sale.pdf](http://www.dymax.com/de/pdf/dymax_europe_general_terms_and_conditions_of_sale.pdf). DYMAX Europe GmbH does not assume any responsibility for test or performance results obtained by users. It is the user's responsibility to determine the suitability for the product application and purposes and the suitability for use in the user's intended manufacturing apparatus and methods. The user should adopt such precautions and use guidelines as may be reasonably advisable or necessary for the protection of property and persons. Nothing in this bulletin shall act as a representation that the product use or application will not infringe a patent owned by someone other than DYMAX Corporation or act as a grant of license under any DYMAX Corporation Patent. DYMAX Europe GmbH recommends that each user adequately test its proposed use and application of the products before actual repetitive use, using the data contained in this bulletin as a general guide. PB002EU 11/07/2011