

Micro-Dot™ Manual Syringe Dispenser

The Micro-Dot™ portable syringe dispenser offers positive-displacement accuracy for dispense volumes as small as 0.0003 mL. Once a volume is set it can be repeated with accuracy. This syringe dispenser utilizes a pre-packaged disposable syringe as its fluid reservoir, preventing any contact between the fluids and the dispenser eliminating fluid contamination during dispense. With the proper dispense tip selection, the *Micro-Dot* is suitable for dispensing a wide range of low-to-high viscosity fluids including pastes, lubricants, adhesives, sealants, and more.




Thumb Activated *Micro-Dot* Syringe Dispenser (T20000)

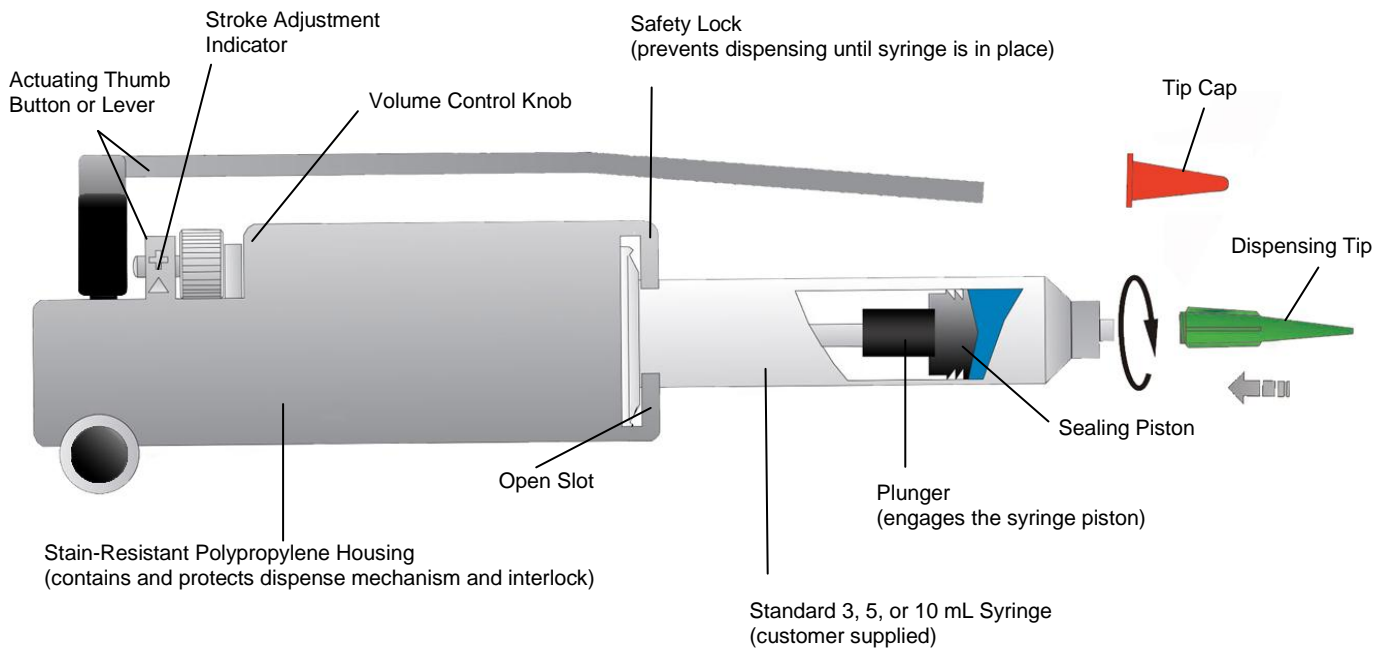


Lever Activated *Micro-Dot* Syringe Dispenser (T20010)

BENEFITS	FEATURES
Control over dispense volume, assuring an accurate dispense despite viscosity and syringe level changes	Positive-displacement dispensing with adjustable stroke
Useful for a variety of applications	Dispenses a wide range of low-to-high viscosity materials
Portable; can be used anytime, anywhere	No power or air required
Easy product changeover Eliminates the risk of material contamination during dispense	Utilizes disposable syringe as fluid reservoir
Works with standard machine-ready syringes	Compatible with EFD Ultra [®] and Optimum™ syringes, Fishman [®] syringes, and other 3, 5, and 10 mL machine-ready syringes
Multiple options for hand-held dispensing	Choice of thumb or lever actuation

SPECIFICATIONS	
Dispenser Type	Manual, positive displacement syringe dispenser
Activation	Manual by lever or thumb actuator
Shot Size	Minimum: 0.0003 mL (400 cP material with 25 gauge taper tip) Maximum: 0.170 mL (400 cP material with 14 gauge taper tip)
Dimensions (L x W x H)	4.5" x 0.87" x 2.13" (11.4 cm x 2.2 cm x 5.4 cm)
Weight	2.8 oz. (81.3 g)
Unit Warranty	1 year from purchase
Part Number	T20000 Thumb Activated T20010 Lever Activated
Recommended Accessories	T15466 Inclined Syringe Stand 

MICRO-DOT™ DISPENSER



© 2011 DYMAX Corporation. All rights reserved. All trademarks in this guide, except where noted, are the property of, or used under license by DYMAX Corporation, U.S.A. Ultra® and Optimum™ are registered trademarks of Nordson Corporation; Fishman® is a registered trademark of Fishman Corporation.

Please note that most dispensing and curing system applications are unique. DYMAX does not warrant the fitness of the product for the intended application. Any warranty applicable to the product, its application and use is strictly limited to that contained in DYMAX's standard Conditions of Sale. DYMAX recommends that any intended application be evaluated and tested by the user to insure that desired performance criteria are satisfied. DYMAX is willing to assist users in their performance testing and evaluation by offering equipment trial rental and leasing programs to assist in such testing and evaluations. Data sheets are available for valve controllers or pressure pots upon request.

LIT288 DA 8/22/11

DYMAX Corporation
860.482.1010
info@dymax.com
www.dymax.com

DYMAX Europe GmbH
+49 (0) 611.962.7900
info_de@dymax.com
www.dymax.de

DYMAX UV Adhesives & Equipment (Shenzhen) Co Ltd
+86.755.83485759
dymaxasia@dymax.com
www.dymax.com.cn

DYMAX Asia (Hong Kong) Ltd
+852.2460.7038
dymaxasia@dymax.com
www.dymax.com.cn

DYMAX Korea LLC
82.2.784.3434
info@dymax.kr
www.dymax.co.kr

